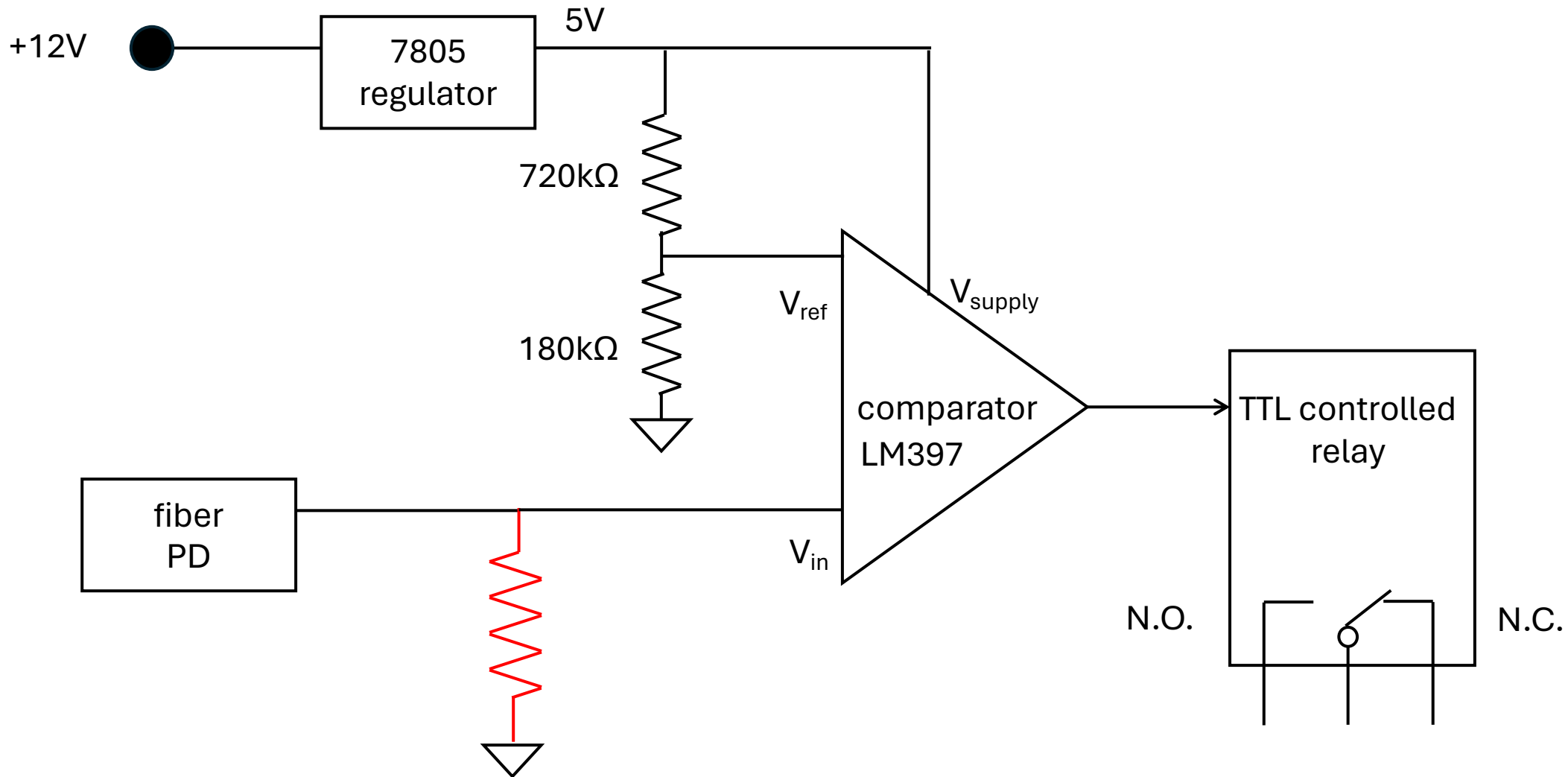
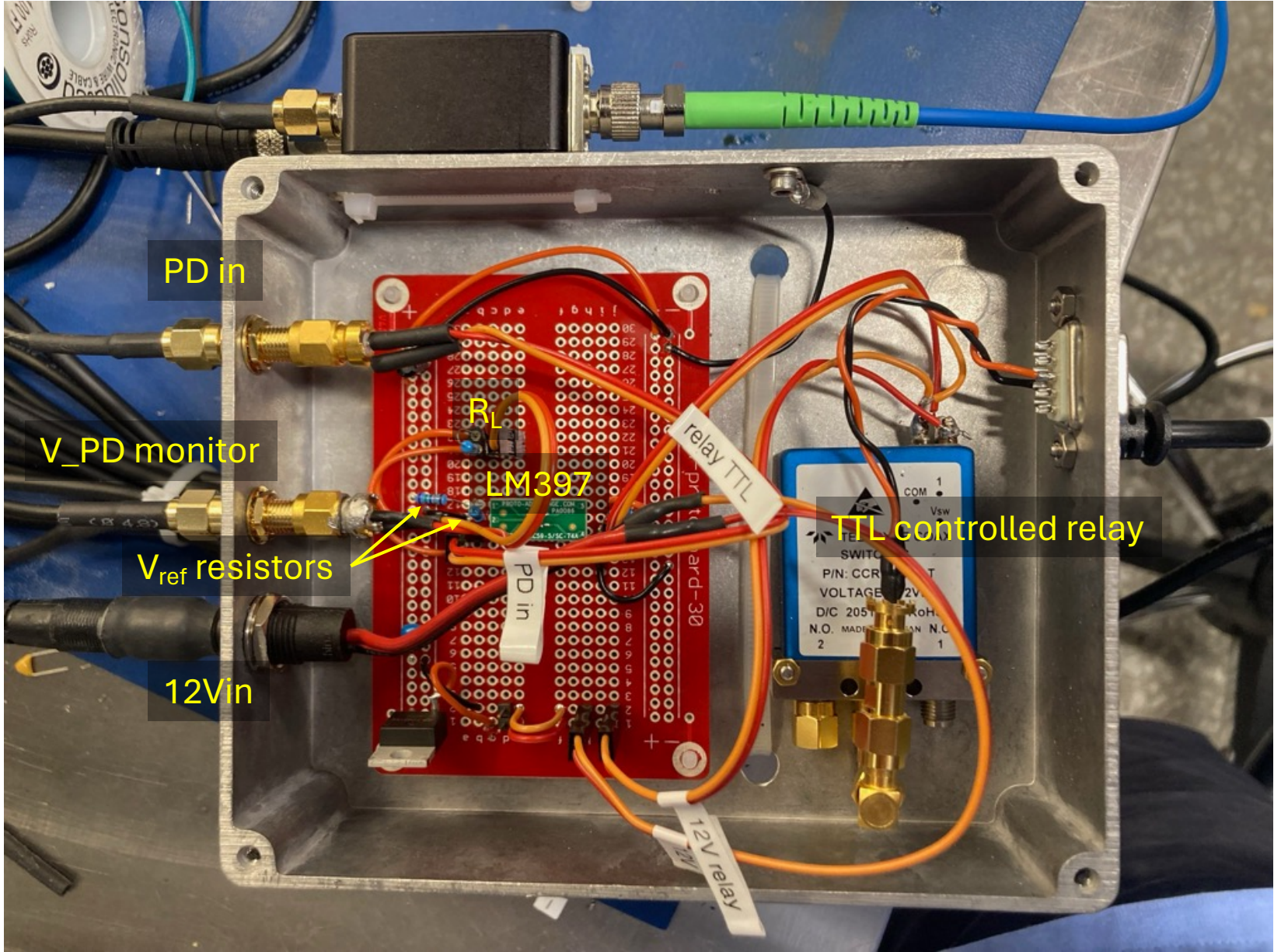


enable fiber amp only when you have input light



R_L : change this resistor
to change gain
currently 20kΩ
 $V_{in} = I_{in} * 0.46A/W * 20kΩ = 9.2V/mW$

d-sub



PD in

V_{PD} monitor

V_{ref} resistors

12Vin

LM397

R_L

relay TTL

PD in

TTL controlled relay

12V relay